



PH: (559) 431-4131 FAX: (559) 431-4431 E-MAIL: sales@hornmachinetools.com
www.hornmachinetools.com

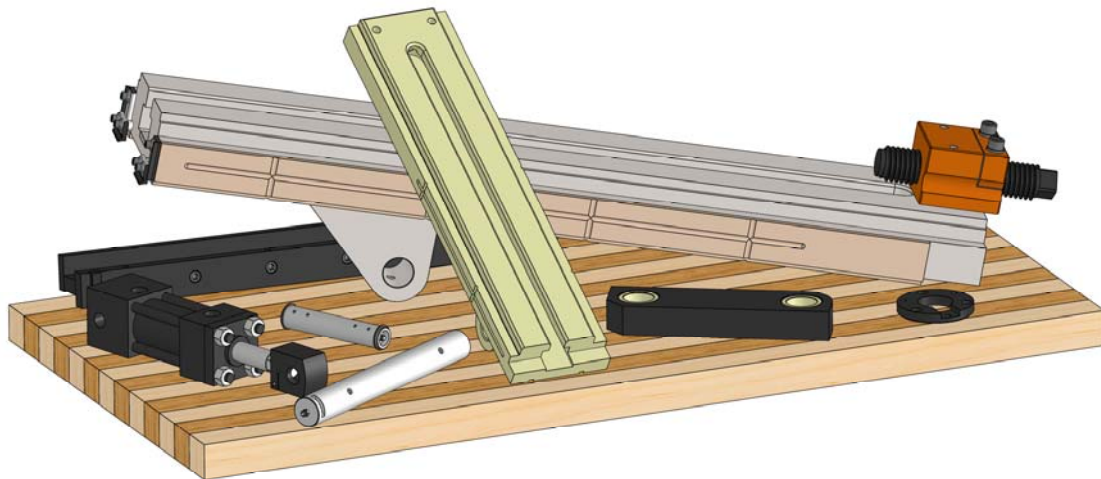
To: All Customers
From: Kent Horn
RE: Replacement Parts for Pines Benders

June 1 2009

HMT is now the exclusive distributor* for Pines Replacement parts manufactured by:

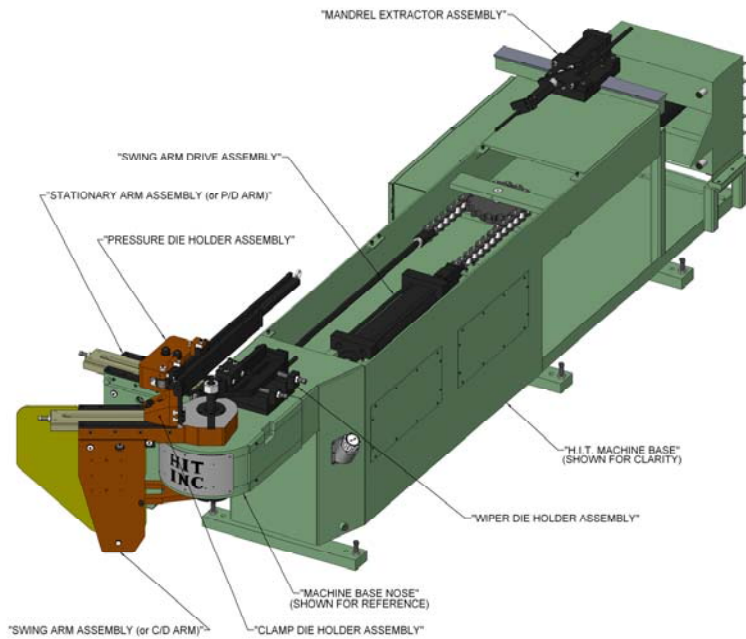


Haller International Technologies, Inc located near Detroit, MI. is in the machine tool replacement parts business. They have in-house capability to make high quality, durable replacement parts for screw machines, bar feeders and other machine tools. The company is now focusing their attention on replacement parts for all models of Pines Tube benders.



We will be stocking common parts for Pines # 3/4 & #1, #1-1/4 & #2 and #3 & #4 models.

HMT will be stocking parts for immediate delivery from several of our locations. Our goal is to have the right replacement parts readily available for customers at a 25% to 40% savings over OEM prices.



An excellent catalog has been developed with detailed exploded view drawings of each section of the bender shown with parts clearly identified. Simply pick out the parts needed and contact us with your requirements.

We look forward to serving your needs with these finely built heavy duty parts.

To place an order or request for quote please contact HMT:

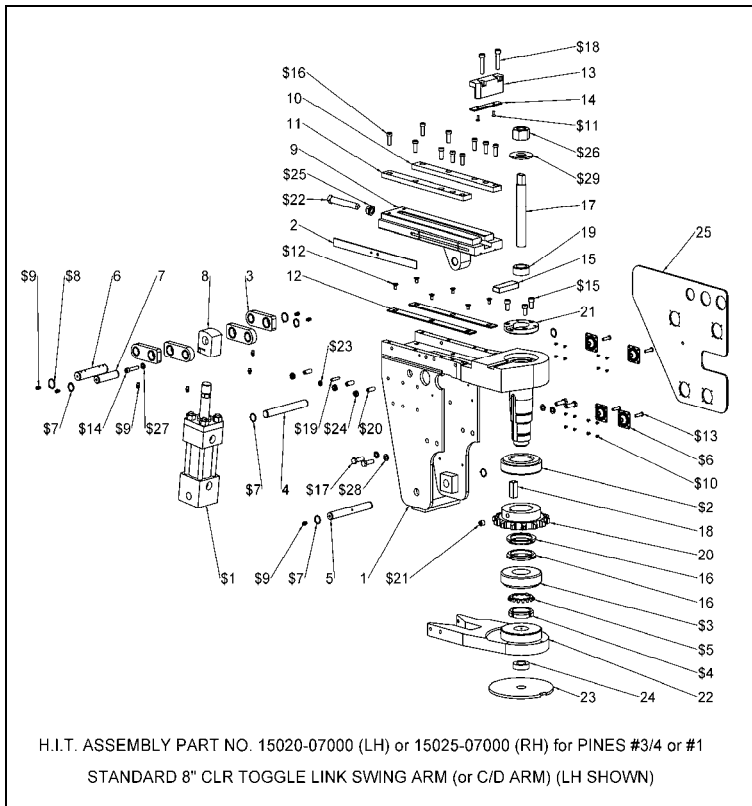
E-mail- sales@hornmachinetools.com

Or

Phone- 559-431-4131.

For additional information or to download an electronic copy of the catalog, please visit our web site at:

www.hornmachinetools.com/pines-parts



Best Regards,

Kent Horn - President
 Horn Machine Tools, Inc.
 559-431-4131
www.hornmachinetools.com

*HMT is the Exclusive Distributor throughout the USA except the state of Michigan